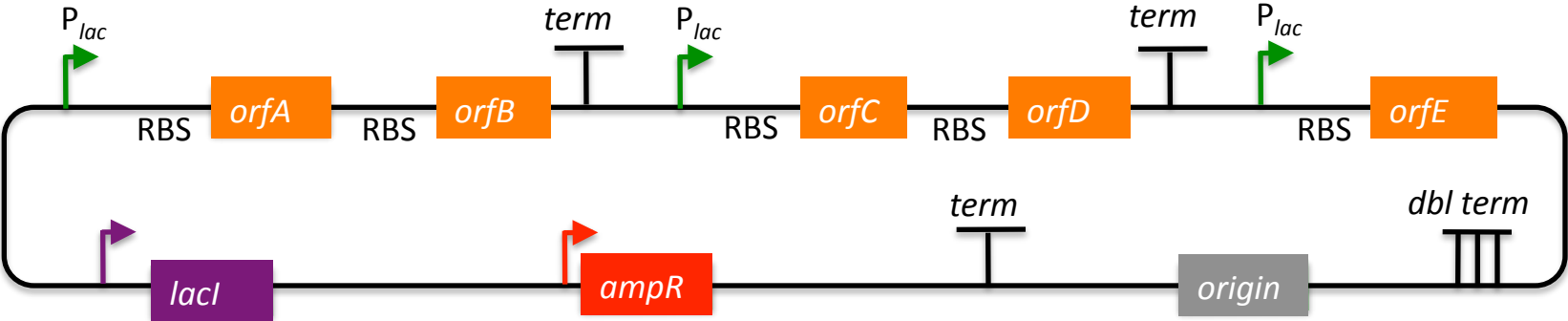


Expression vector:



Composite biological parts:

